

SCHEDA TECNICA / TECHNICAL SPECIFICATION



MISURE / DIMENSIONS

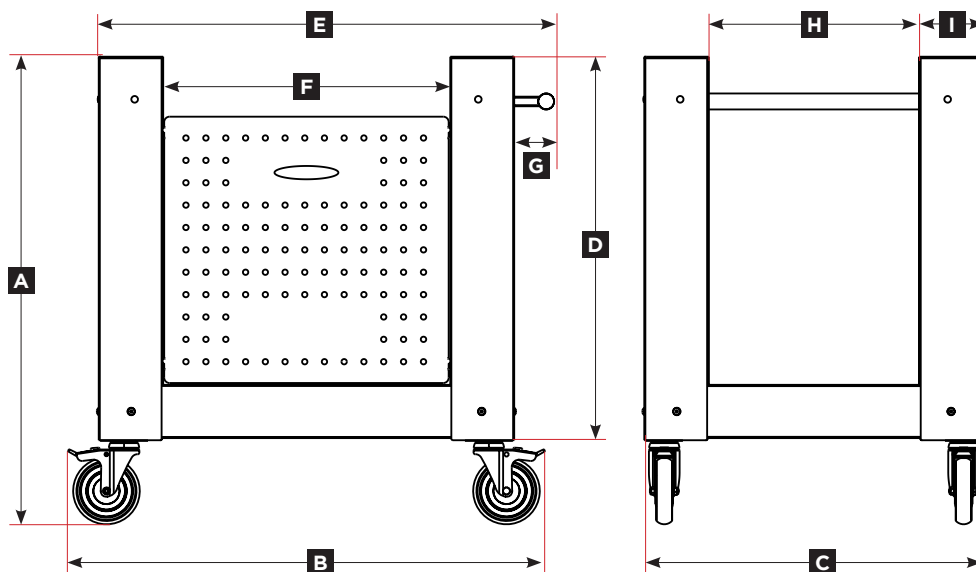
BASE

5MINUTI OVEN

 BF-5 MINUTI RAM

 BF-5 MINUTI SBL

A	87.8 cm - 34.6 in	F	53.9 cm - 21.2 in
B	91.3 cm - 35.9 in	G	7.7 cm - 3 in
C	63.7 cm - 25 in	H	39.5 cm - 15.5 in
D	71.6 cm - 28.2 in	I	12.1 cm - 4.7 in
E	85.2 cm - 33.5 in		



CARATTERISTICHE TECNICHE / TECHNICAL DETAILS

Peso
Weight

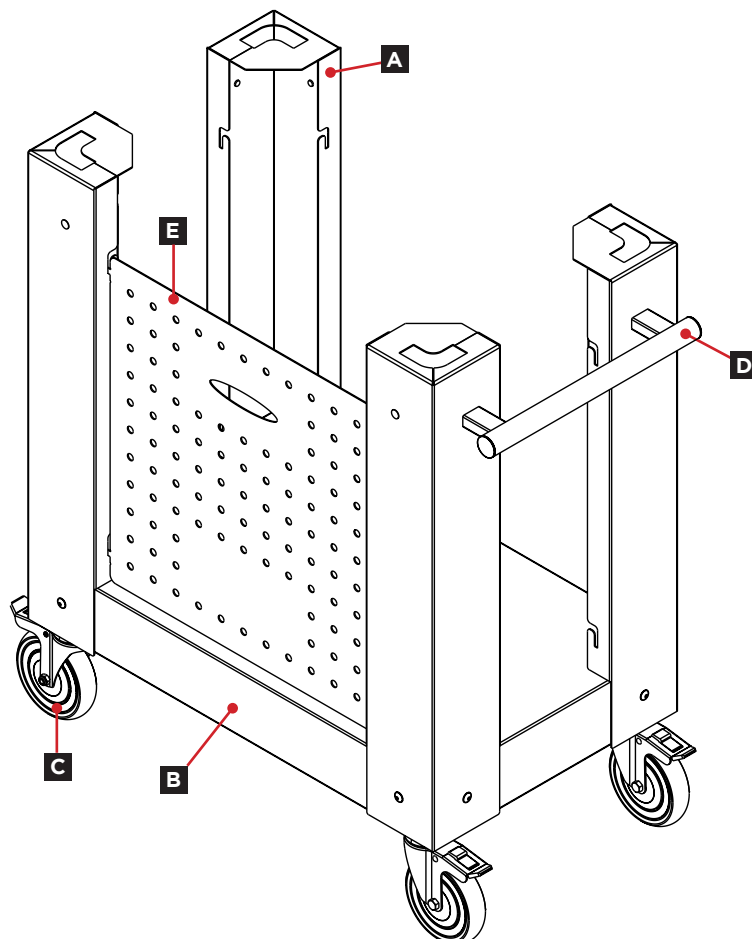
29 kg
64 lbs

Materiali utilizzati
Used material

lamiera ferro, acciaio inox
iron sheet, stainless steel

COMPONENTI / PARTS LIST

	CODE	N°	DESCRIPTION
A	BAS-2-12012	4	Leg - Gamba
B	BAS-2-1201	1	Shelf - Ripiano
C	D14RU-125FRGN	4	Wheel - Ruota
D	D14MAN-37821	1	Handle - Maniglia
E	SML-3-1201	1	Panel - Pannello



WATCH THE VIDEO, SCAN THE QR CODE
alfaforni.com/alfa-base.php

